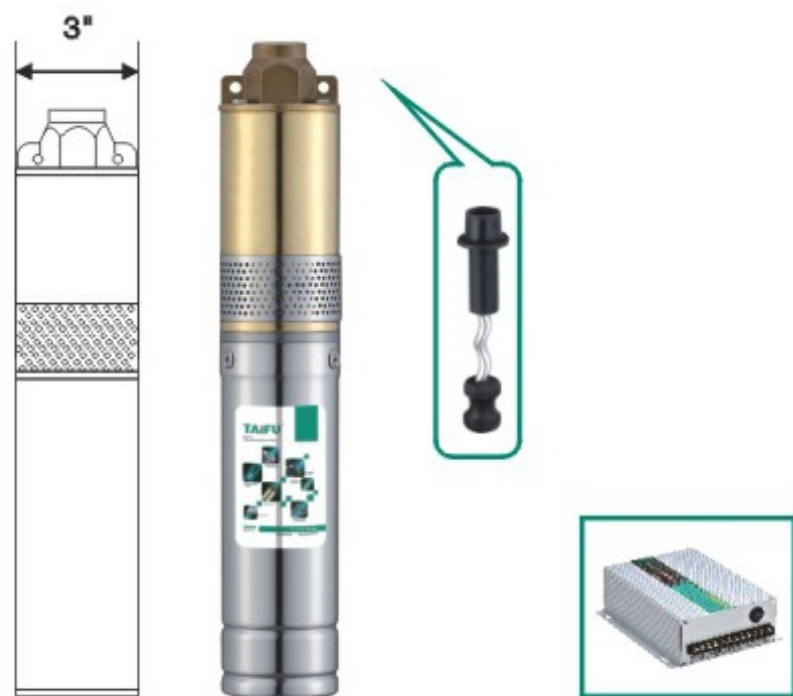


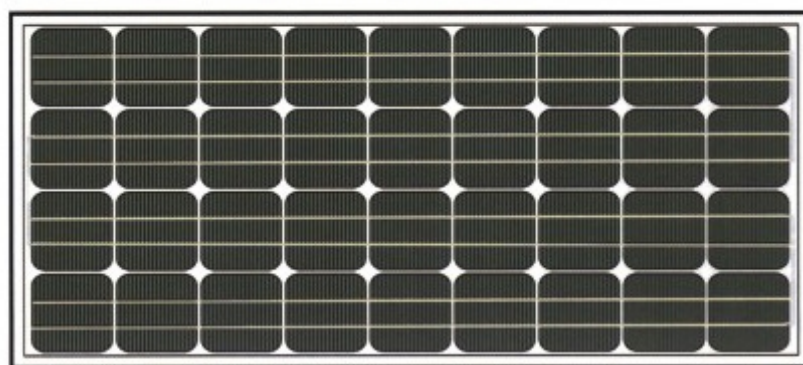


Purpose:  
the biggest solar pump manufacturer from China.

# 3TSS SOLAR PUMP



- Motor filled with oil
- Max Head: 165m
- Max immersible depth: 40m



### FREE ACCESSORIES



### ADVANCED TECHNOLOGY:

#### 1. Application innovation

Compared with the traditional alternating current machine, the efficiency is improved 25% by the permanent magnetism, direct current, brushless, non-sensor motor.

#### 2. Technics innovation

Adopt double plastic package for rotor and stator, motor insulation  $\geq 300M\Omega$ , the motor security was much improved.

#### 3. Structure innovation

Oil filling, convenient installation and environmental protection

### APPLICATION AREA:

This project products are mainly used in dry region for irrigation of agriculture, It can be used for drinking water and living water. The living condition could be much improved. It also can be used for fountains.

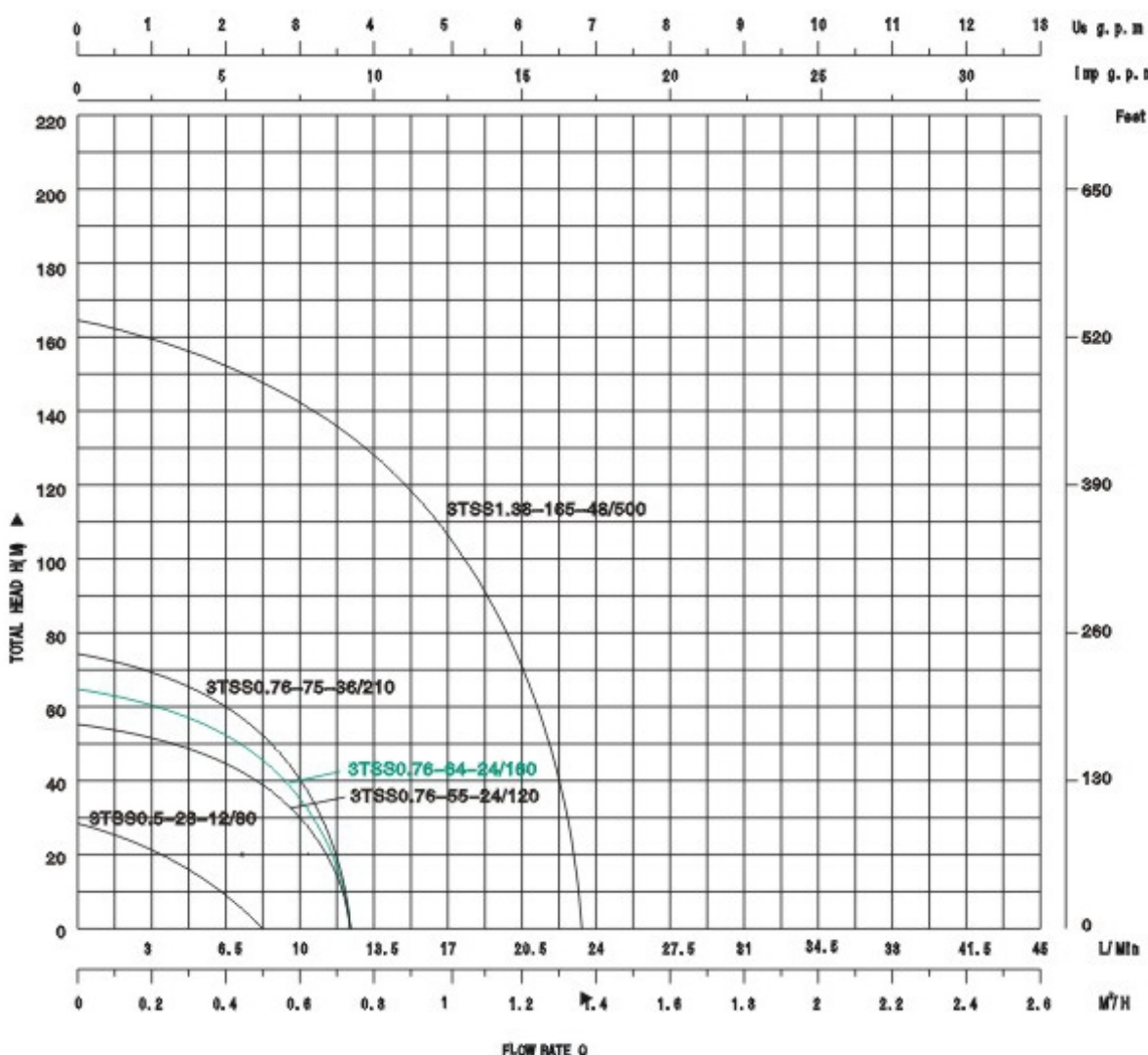
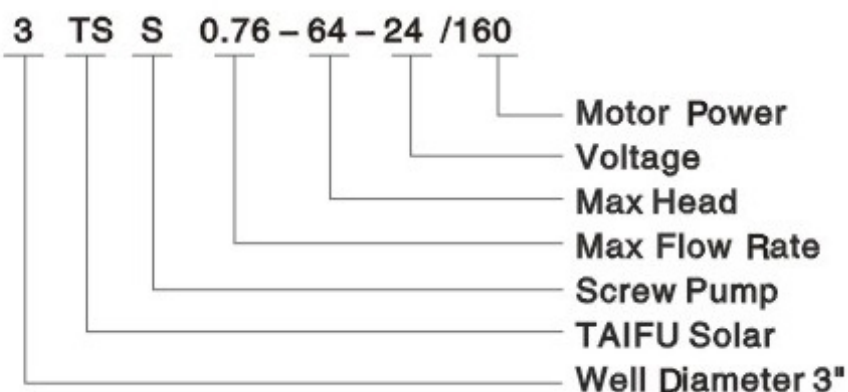
### MATERIAL OF PARTS:

- Outlet: brass
- Pump body: brass or stainless steel
- Motor body: stainless steel
- Screw: stainless steel
- Bearing: NSK

### ACCESSORIES:

Pump controller, Screw, Cable connector, Water level sensor, Cable for solar panel, Solar flashlight

Model instruction:



### PUMP PERFORMANCE

TYPE	VOLTAGE (v)	POWER (w)	MAX FLOW RATE (m³/h)	MAX HEAD (m)	OUTLET SIZE (in)	DIAMETER (mm)	CONTROLLER MODEL
3TSS0.5-28-12/80	12	80	0.5	28	3/4"	76	MAS3000-12
3TSS0.76-55-24/120	24	120	0.76	55	3/4"	76	MAS3000-24
3TSS0.76-64-24/160	24	160	0.76	64	3/4"	76	MAS3000-24
3TSS0.76-75-36/210	36	210	0.76	75	3/4"	76	MAS3000-36
3TSS1.38-165-48/500	48	500	1.38	165	3/4"	76	MAS3000-48