

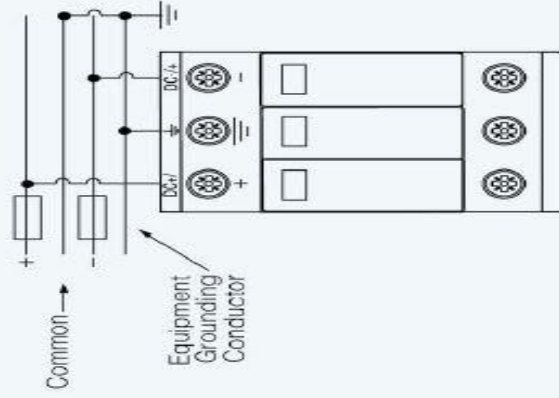
Specifications

Nominal PV System Voltage	1000V	1200V	1500V
MCOV [UCPV]	1170Vdc	1200Vdc	1500Vdc
Max System Discharge Current (8/20 μ s) [Imax]	40kA	30kA	30kA
Voltage Protection Level [UP]	≤ 4.0 kV	≤ 4.5 kV	≤ 4.5 kV
Voltage Protection Level at 5kA [UP]	≤ 3.5 kV	≤ 4.0 kV	≤ 4.0 kV
Integrated Fuse Breaking Capacity/Interrupting Rating	30kA/1000Vdc	30kA/1200Vdc	30kA/1500Vdc
Technology	Short-Circuit Interruption (SCI) Overcurrent Protection		
Operating Temperature Range [TU]	-40°C to +80°C		
Nominal Discharge Current (8/20 μ s) [(DC+/DC-) --> PE] [In]	12.5kA		
Response Time [tA]	<25ns		
Operating State/Fault Indication	Green (good)/Red (replace)		
Conductor Ratings and Cross-Sectional Area:	Minimum	60/75°C 1.5mm ² /14AWG Solid/Flexible	
	Maximum	60/75°C 35mm ² /2AWG Stranded/25mm ² /4AWG Flexible	
Mounting	35mm DIN Rail per EN 60715		
Enclosure Material	UL 94V0 Thermoplastic		
Degree of Protection	IP20		
Capacity	3 Modules, DIN 43880		
Standards Information:	IEC 61643-11 Type 2, IEC 61643-1 Class II		
Product Warranty	Five Years**		

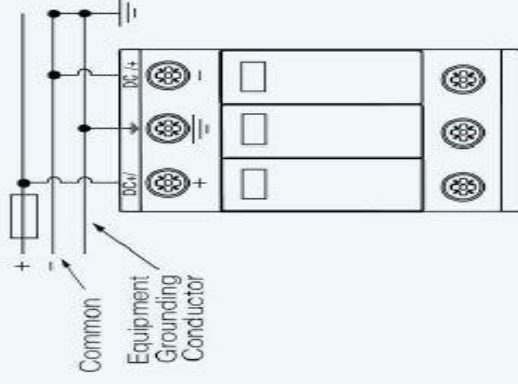
Remote Contact Signaling

Remote Contact Signaling Type	Changeover Contact
AC Switching Capacity (Volts/Amps)	250V/0.1A
DC Switching Capacity (Volts/Amps)	250V/0.1A; 125V/0.2A; 75V/0.5A
Conductor Ratings and Cross-Sectional Area for Remote Contact Signal Terminals	60/75°C Max. 1.5mm ² /14AWG Solid/Flexible
Ordering Information	Order from Catalog Numbers Above

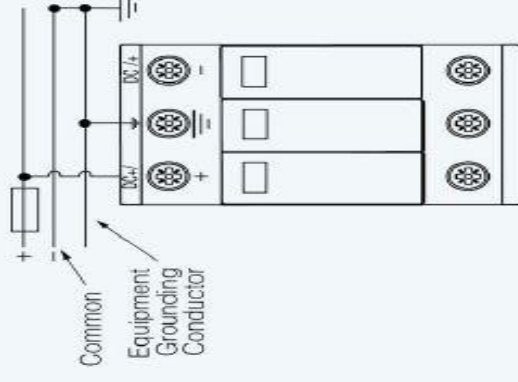
Typical Application Schematics



Application A
Two energized poles/modes
600, 1000 & 1200Vdc systems



Application B
One energized pole/mode
600Vdc & 1000Vdc*** systems only



Application C
One energized pole/mode
600Vdc & 1000Vdc*** systems only
(Max. system discharge current
(8/20 μ s) [Imax] 25kA)

* Does not apply to 1200Vdc.

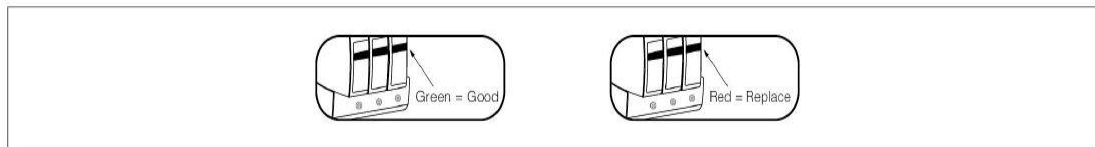
1. Use a suitable electrical insulator to keep a 10mm min. safety distance from the PV-SPD and other grounded parts in the housing.
2. No metal covers are in the area of the module release buttons as shown.

Conductors and Busbars for Use in Photovoltaic Systems

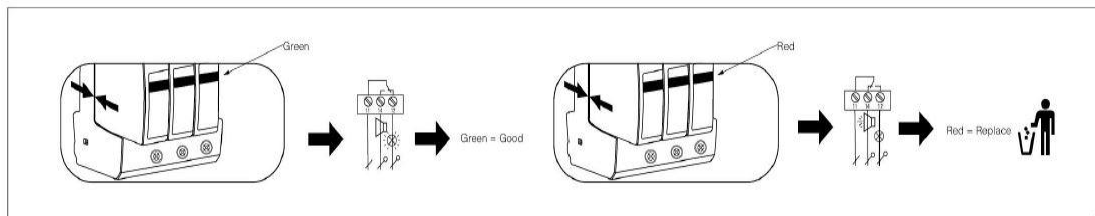
IEC 60364-7-712 (DIN VDE 0100 Part 712)

60/75°C Cu Conductors		
Min. □ DC±, DC±, ↓	1.5mm ² /14AWG	
Max. □ DC±, DC±, ↓	25mm ² /4AWG	35mm ² /2AWG
Busbar	16mm ² Cu ≥ 15.5mm	

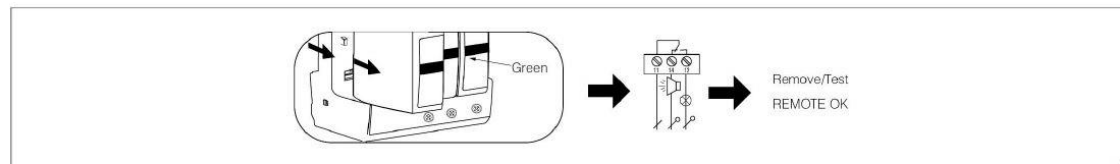
Visual Indication Status



Fault Indication & Remote Contact Signaling (with modules installed)



Testing Remote Contact Signaling (with modules removed)



Remote Contact Signaling

